



# TIR6

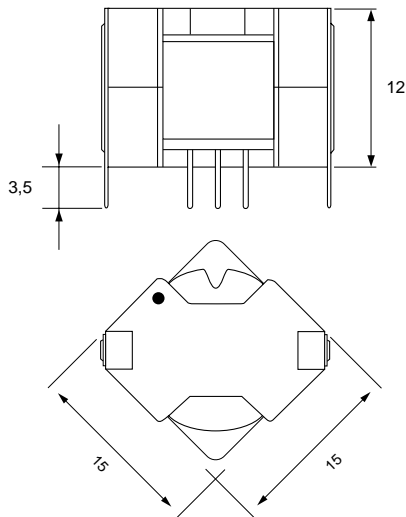
10  
20  
40

## pulse transformers



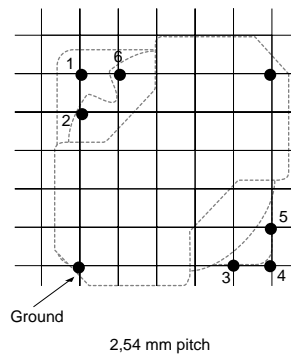
TIR pulse transformers are general use products. They can be used for transistor drive switching power supplies or data line isolation. Stick packaging allows automatic insertion.

### DIMENSIONS

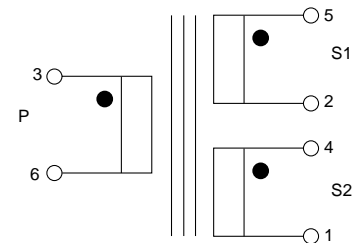


Dimensions in mm

### CONFIGURATION (upside view)



### ELECTRICAL DIAGRAM



## SPECIFICATIONS

### MECHANICAL

FERRITE... RM6 6 pins  
UNIT WEIGHT... 8 g

### CLIMATIC

TEMPERATURE RANGE  
SHELF... -55°C +85°C  
OPERATING... -30°C +75°C

### MARKING

Printed in clear: manufacturer, series, model, manufacturing date (code), pin 1.

### PACKING

25 pieces in stick.

### ELECTRICAL

DIELECTRIC STRENGTH... 500 V RMS

	TIR6-10	TIR6-20	TIR6-40
Ratio S1/ P = S2/ P	1	2	4
Min. primary inductance	1,4 H	0,5 H	125 mH
Resistance RP max.	70 Ω	40 Ω	20 Ω
Resistance RS1 = RS2	83 Ω	96 Ω	94 Ω
Max. primary current	0,5 mA	0,6 mA	2 mA
Max. peak current	75 mA	100 mA	140 mA
ET factor	1000 Vμs	600 Vμs	500 Vμs

Other values on request

## ORDERING PROCEDURE

SERIES

TIR6

MODEL

10



VISHAY S.A.  
Division Aztronix  
Z.I. de Bellitourne  
B.P. 353

F 53203 Château-Gontier Cedex  
Tel. : (33) 02 43 09 51 10  
Fax. : (33) 02 43 07 36 43