



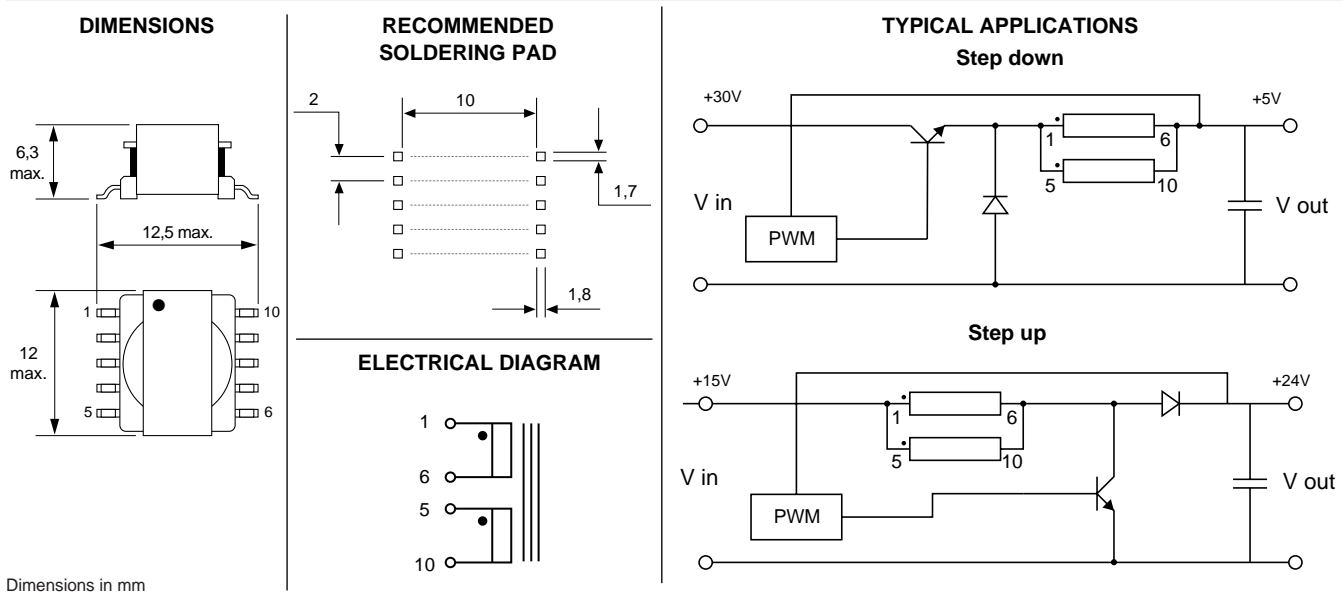
TCV11

microconverter transformers

SURFACE MOUNTING



Adding up one or more secondary to the basic inductor TCV11 allows build up of flyback transformers for microconverters with a power of 6 W. Tape and reel packaging allows automatic pick and place.



SPECIFICATIONS

MECHANICAL

FERRITE... ER11
CASE... SMD frame
CONFIGURATION... 10 pins 2 mm pitch

CLIMATIC

WORKING TEMPERATURE RANGE... -20°C +85°C

MARKING

Printed in clear: manufacturer, series, value, manufacturing date (code), pin 1.

PACKING

600 pieces / reel.
Taped 24 mm width, 16 mm pitch.

ORDERING PROCEDURE

SERIES

TCV11

VALUE

100 µH

ELECTRICAL

INSULATION VOLTAGE BETWEEN WINDING... 100 V RMS
RATIO (1-6) / (5-10)... 1 / 1
QUENCH FREQUENCY MAX.... 200 kHz

ELECTRICAL VALUES (1-6) // (5-10) :

Inductance (µH) ± 20 %	RCC max. (Ω)	Saturation * current (A)	Nominal ** current (A)
10	0,015	2,00	4,80
22	0,030	1,20	3,80
47	0,055	1,00	3,10
68	0,095	0,80	1,80
100	0,145	0,70	1,60
220	0,265	0,37	1,10
470	0,480	0,30	0,80
680	0,750	0,25	0,50
1000	1,625	0,20	0,40

* DC current which create a 20% drop of inductance value

** DC current which will create a maximum temperature rise of 30°C when applied at 25°C ambient.



VISHAY S.A.
Division Aztronics
Z.I. de Bellitourne
B.P. 353

F 53203 Château-Gontier Cedex
Tel. : (33) 02 43 09 51 10
Fax. : (33) 02 43 07 36 43