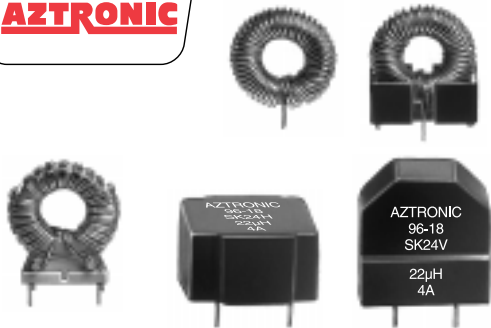




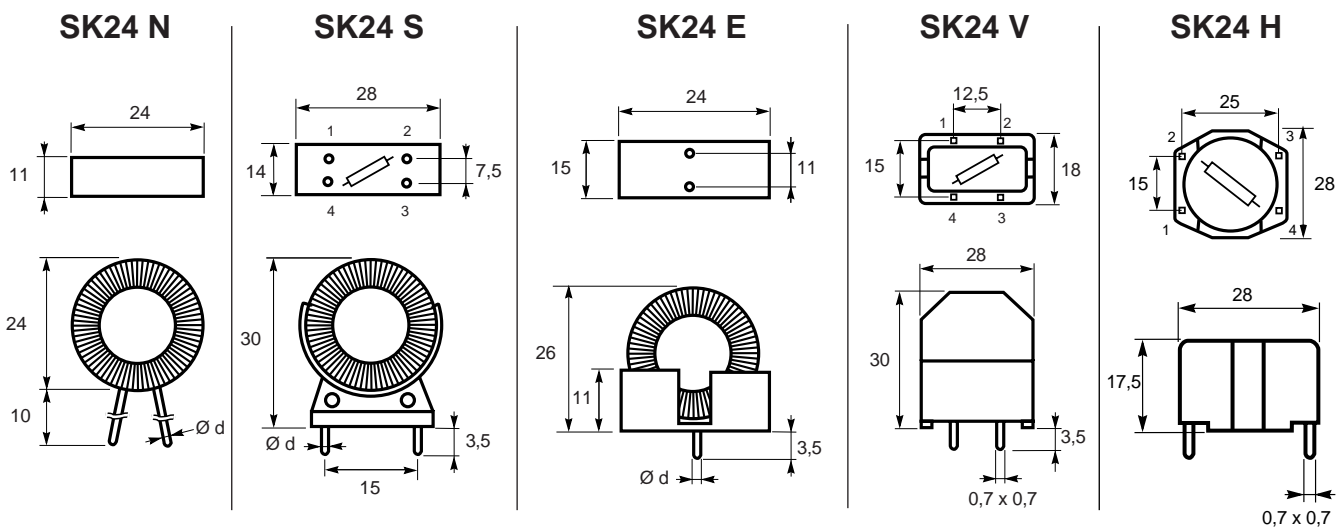
SK24 N S E V H

high current toroidal inductors

- EMI / RFI noise suppression
- switching power supplies and output chokes



SK series inductors have a copper winding on a toroid. They are available with a bare construction or in a case. Main uses are power supply, filtering or DC/DC converters with frequencies up to 300 kHz.



Dimensions in mm

SPECIFICATIONS

MECHANICAL

MAGNETIC CIRCUIT... toroid
CASE... plastic
TERMINALS... wire N, S and E versions
 pins : V and H versions

ENVIRONMENTAL

OPERATING TEMPERATURE RANGE... -40°C +125°C

MARKING (V and H versions)

Printed in clear : Manufacturer, series, model, inductance value, nominal current.

PACKAGING

50 pieces in waffle pack.

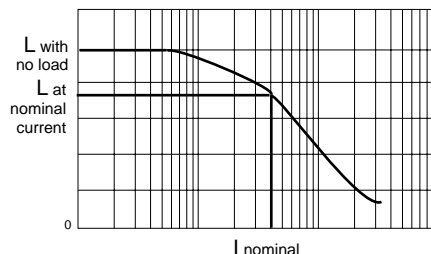
ELECTRICAL

TOLERANCE... $\pm 20\%$
MAX. OPERATING FREQUENCY... 300 kHz
MAXIMUM VOLTAGE... 250 V RMS

I max. A	L with no load μH	L min. at nominal current μH	DCR max. m Ω	$\varnothing d$ (wire diameter) N - S - E versions mm
6	10	7	8	1,2
4	22	15	21	0,9
3	47	33	39	0,8
2	100	70	91	0,7
1,5	220	154	166	0,6
1	470	330	376	0,5
0,7	1000	700	871	0,4

On request: other values or pin configuration.

INDUCTANCE VALUE AT NOMINAL CURRENT



ORDERING PROCEDURE



VISHAY S.A.
Division Aztronic
Z.I. de Bellitourne
BP 353 - AZE
53203 Château-Gontier Cedex
Tél (33) 02 43 09 51 10
Fax (33) 02 43 07 36 43